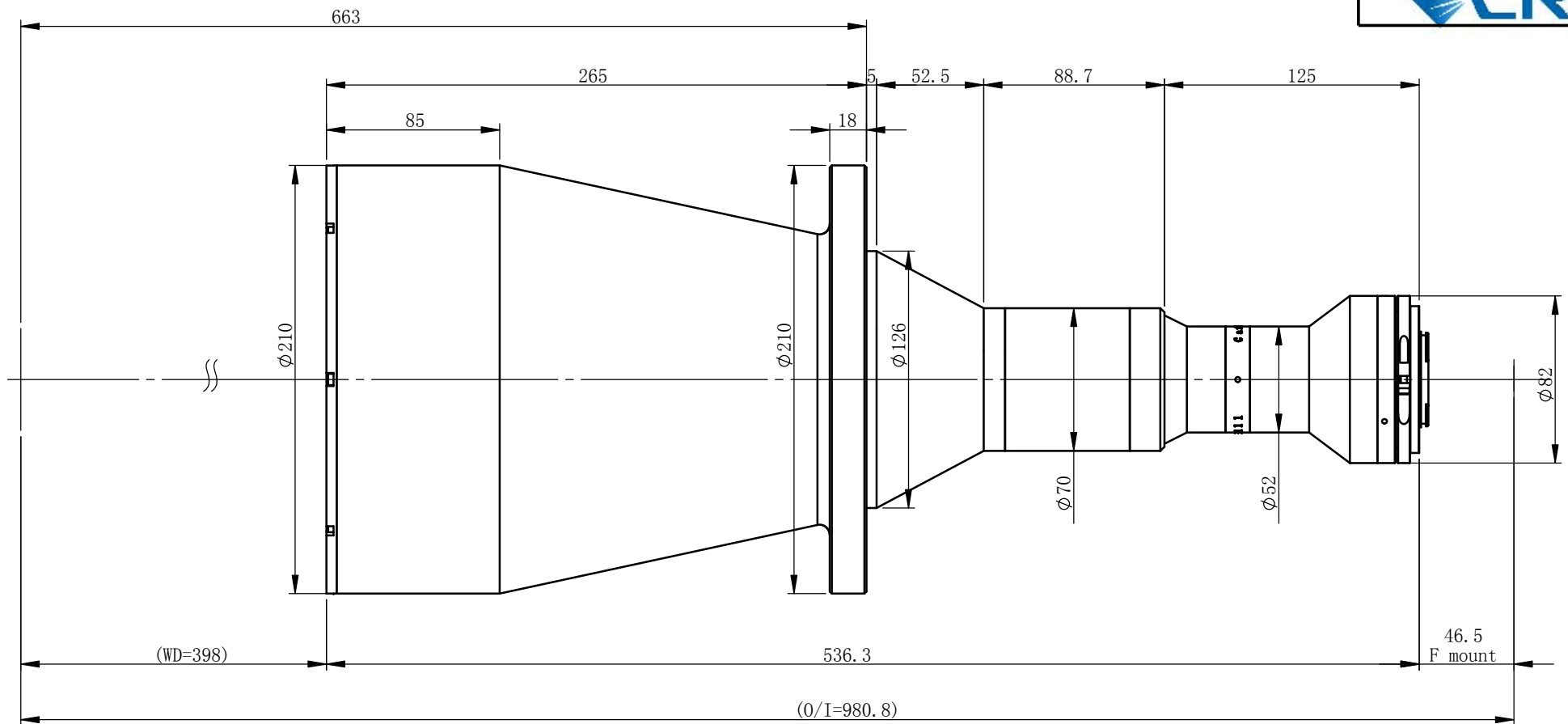


**XF-PTL18232-F**



**Specification**

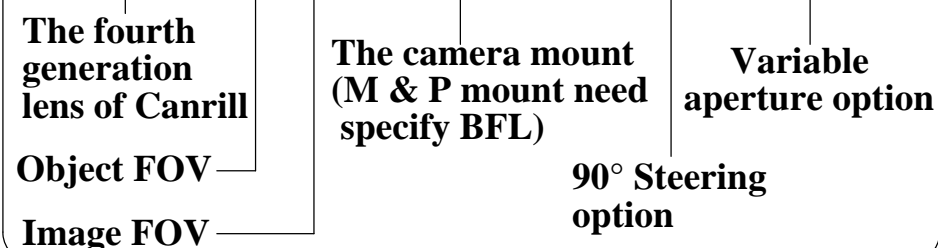
Optical structure      Bi-Telecentric  
 Magnification          0.18  
 Object field of view     $\Phi 180.6\text{mm}$   
 Image field of view     $\Phi 32.5\text{mm}$   
 Working Distance       $398\text{mm} \pm 3\%$   
 Telecentricity           $< 0.04^\circ (0.06^\circ)$   
 Depth of field          25.4mm  
 F#                          F7.5  
 Resolution                 $27.43\mu\text{m}$   
 MTF                         $> 0.3 @ 135\text{lp/mm}$   
 Distortion                 $< 0.057\% (0.100\%)$   
 Detector type:

2'	23.0×23.0	127.8×127.8mm
7/4'	22.5×16.9	125.0×93.9mm
4/3'	18×13.5	100.0×75.0mm
1.1'	14.2×10.4	78.9×57.8mm
1'	13.1×8.8	72.8×48.9mm
2K Linear scan	2048×10 $\mu\text{m}$	113.8mm
4K Linear scan	4096×7 $\mu\text{m}$	159.3mm

**Optional camera mount**

- 1、 F
- 2、 M42×1

**XF-PTLAAABB-C/F/P/M- (L90E) - (VI)**



Undefined tolerance (mm)	degree	File Name		
X. X	$\pm 0.2$	$\pm 30\text{min}$	XF-PTL18232-F-外形尺寸-EN	
X. XX	$\pm 0.02$	Drawing Name		
X. XXX	$\pm 0.005$	Drawing Size: A3		
	Sign	Data/Ver.	Material	Ratio
Design				1:5
Modify1			Qty	
Modify2			Total:	
			Page:	

All design and drawings are intellectual property of Canrill Optics, can not be copied without Canrill's authorization.