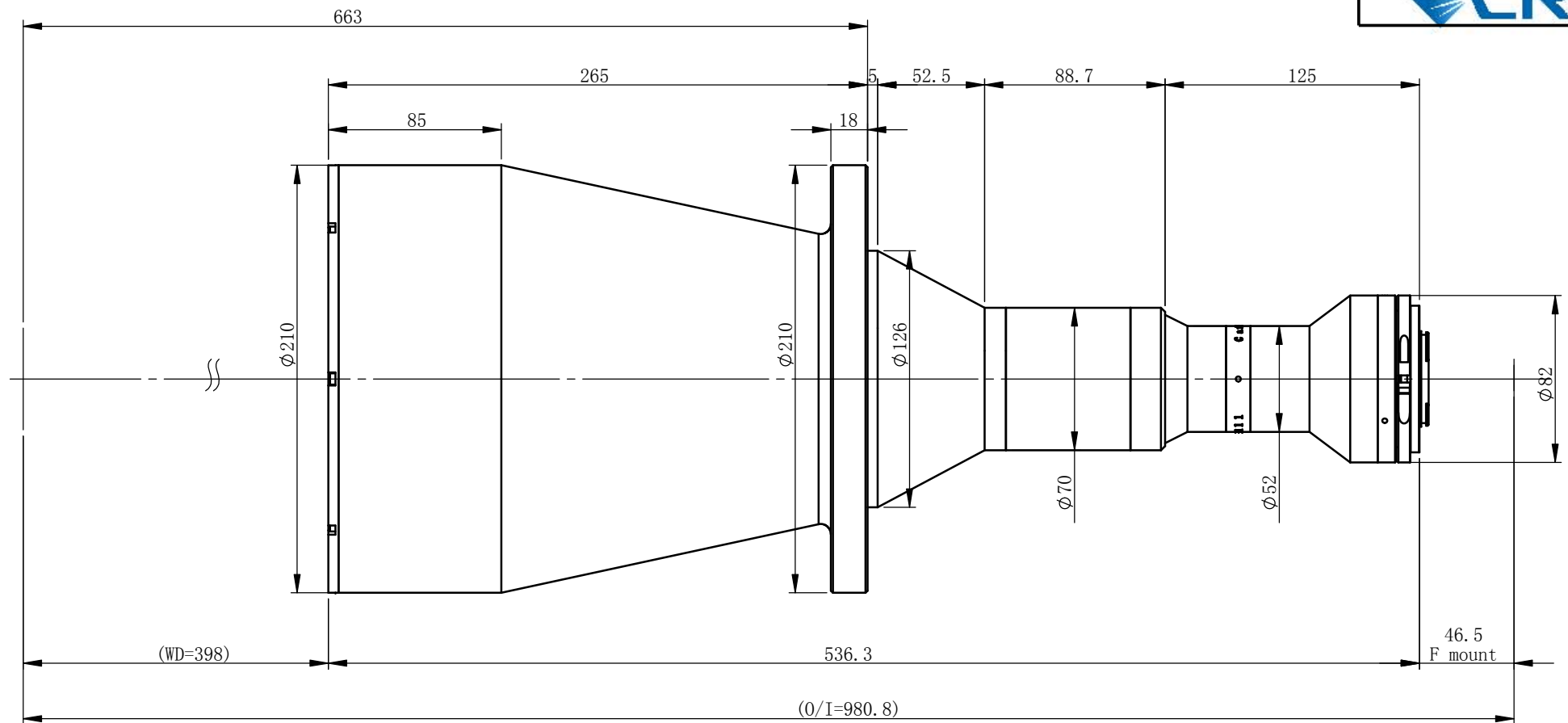


XF-PTL18232-F



Specification

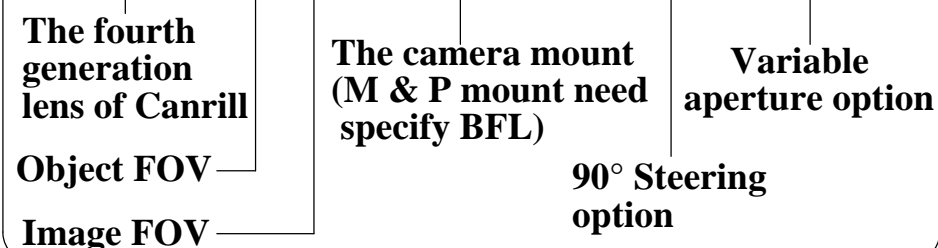
Optical structure	Bi-Telecentric
Magnification	0.18
Object field of view	Φ180.6mm
Image field of view	Φ32.5mm
Working Distance	398mm±3%
Telecentricity	<0.04°(0.06°)
Depth of field	25.4mm
F#	F7.5
Resolution	27.43μm
MTF	>0.3@135lp/mm
Distortion	<0.057%(0.100%)
Detector type:	

2'	23.0×23.0	127.8×127.8mm
7/4'	22.5×16.9	125.0×93.9mm
4/3'	18×13.5	100.0×75.0mm
1.1'	14.2×10.4	78.9×57.8mm
1'	13.1×8.8	72.8×48.9mm
2K Linear scan	2048×10μm	113.8mm
4K Linear scan	4096×7μm	159.3mm

Optional camera mount

- 1、 F
- 2、 M42×1

XF-PTLAAABB-C/F/P/M- (L90E) - (VI)



Undefined tolerance (mm)	degree	File Name		
X. X	±0.2	±30min	XF-PTL18232-F-外形尺寸-EN	
X. XX	±0.02	Drawing Name		
X. XXX	±0.005	Drawing Size: A3		
	Sign	Data/Ver.	Material	Ratio
Design				1:5
Modify1			Qty	⊕
Modify2			Total:	Page: