

XF-PTL35008-C

Specification

| | |
|----------------------|-----------------------------|
| Optical structure | Bi-Telecentric |
| Magnification | 0.0229 |
| Object field of view | $\phi 349.3\text{mm}$ |
| Image field of view | $\phi 8\text{mm}$ |
| Working Distance | $540\text{mm} \pm 3\%$ |
| Telecentricity | $< 0.05^\circ (0.06^\circ)$ |
| Depth of field | 1072.5mm |
| F# | F5.5 |
| Resolution | $158.55\mu\text{m}$ |
| MTF | $> 0.3 @ 185\text{lp/mm}$ |
| Distortion | $< 0.095\% (0.128\%)$ |
| Detector type: | |

| | | |
|--------|---------|---------------|
| 1/2' | 6.4×4.8 | 279.5×209.6mm |
| 1/2.3' | 6.2×4.6 | 270.7×200.9mm |
| 1/2.5' | 5.8×4.3 | 253.3×187.8mm |
| 1/3' | 4.8×3.6 | 209.6×157.2mm |

XF-PTLAAABB-C/F/P/M- (L90E) - (VI)

The fourth generation lens of Canrill

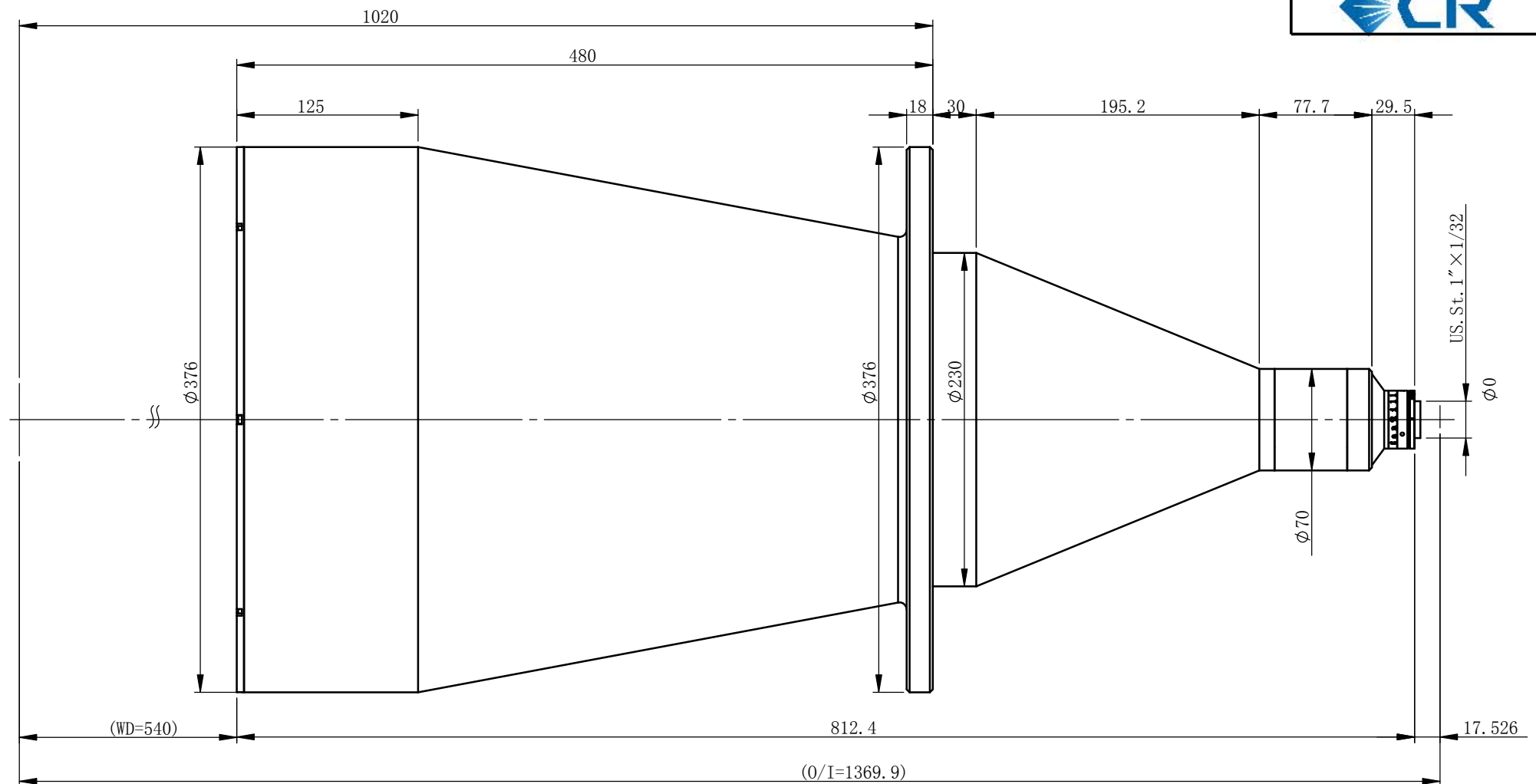
The camera mount (M & P mount need specify BFL)

Variable aperture option

Object FOV

90° Steering option

Image FOV



| | | | | |
|--------------------------|-------------|--------------------|---|----------------|
| Undefined tolerance (mm) | degree | File Name | | |
| X. X | ± 0.2 | $\pm 30\text{min}$ | XF-PTL35008-C-外形尺寸-EN | |
| X. XX | ± 0.02 | Drawing Name | | |
| X. XXX | ± 0.005 | Drawing Size: A3 | | |
| | Sign | Data/Ver. | Material | Ratio |
| Design | | | | 1:5 |
| Modify1 | | | Qty | |
| Modify2 | | | Total: | Page: |
| | | | | Canrill OPTICS |
| | | | All design and drawings are intellectual property of Canrill Optics, can not be copied without Canrill's authorization. | |